

Product Model: 75M3A

Technical Specification

一、Product characteristics

1. System properties

- Equipped with Android 8.0 Smart OS and a unique user interface design;
- 3GB internal cache + 32GB internal storage, for faster operating speeds;

2. Exterior and smart touch:

- The exterior features four minimalist arc-shaped edges; the WIFI and Bluetooth antennas adopt a forward, hidden design;
- Front-disassembly, high-precision, infrared touch frame with touch precision of $\pm 1\text{mm}$ and touch height of 2.0mm, highly sensitive, supports 20 touch points;
- Equipped with an OPS interface and a scalable dual system; a dual USB interface with dual system compatibility; a dual network interface for device switching;

3. Whiteboard writing:

- High performance writing software that supports single and multi-point writing with improved writing effects with the pen, so that users can annotate on any interface and any channel;
- Uses AG anti-glare tempered glass, with a Mohs hardness scale of 7, providing a better writing experience;

4. Conference training:

- Built-in dual 2.4G/5.8G frequency, dual network cards, supports simultaneous use of the wireless network connection and WiFi hotspot;
- Bluetooth function to connect wirelessly with and transfer data to phones, speakers, and other Bluetooth-enabled devices; supports wireless connection with printers for printing documents;
- Wireless screen-casting, supports casting to multiple screens, features reverse mirror control, remote snapshots, file sharing, wireless speaking, wireless control, etc.;
- Built-in WPS, conference timer, welcome remarks, scoring and voting systems, and other high-efficiency conferencing software;

5. Commercial display:

- High definition image processing engine: image motion compensation, color enhancement processing, point-to-point precision technology;
- All-channel output function: real-time, high-definition, stable, and low-latency output to expansion units;
- Featuring an all-new welcome screen, live apps, background music, and wall messaging;
- Customized boot screens; the local media player supports automatic classification to meet the needs of a variety of occasions;



二、 Main Specification Parameters

2.1 Specification overview

Display	Size	74.52"
	Brand	LG
	Backlight type	D-LED
	Resolution	3840*2160 (UHD)
	Brightness	450cd/m ²
	Contrast ratio	1200:1
	Response time	8ms
	Pixel pitch	0.429mm*0.429mm
	Refreshing frequency	60Hz
	Viewing angle	178°(H) / 178°(V)
	Color gamut(x% NTSC)	65%
	View area	1649.66mm*729.94mm
	Display colors	1.07B(10bit)
	Life time	30,000 hrs
Solution	MSD6A848	
System	Operation system	Android 8.0
	CPU Architecture	ARM A73+A53
	CPU Working Frequency	1.5GHz
	CPU Core	Quad Core

	GPU	Mali-G51
	RAM	3GB DDR4
	ROM	32GB Standard
Power	Voltage	100 V ~ 240 V/AC, 50/60 Hz
	Power consumption without OPS	400W
	OPS Power	12V(DC)/5A
	Power consumption in standby mode	<0.5W
	Power (AC) input	*1
Function	Audio Output Power	15W * 2
	WIFI	Support
	Bluetooth	Support
Interface	HDMI In	*2
	DP In	*1
	VGA In	*1
	OPS (Optional)	*1
	LAN	*2
	Android USB	*2
	Public USB	*2
	Touch-USB	*1
	PC-Audio In	*1
	HDMI Out	*1
	S/PDIF Out	*1
	Audio OUT	*1
	RS232 In	*1
Environment	Working Temperature	0°C ~ 40°C
	Storage Temperature	-10°C ~ 60°C
	Working Humidity	20% ~ 80%

	Storage Humidity	10% ~ 80%
	Image Model	Standard、Computer、Gorgeous、Bright、Soft、Nature、Exercise、Game、Automatic、Users
	The longest service time(Hour*Day)	18Hours*7days
Structure	Net Weight	58Kg±1.5Kg
	Gross Weight	78.2Kg±1.5Kg(Heavy Carton)
	Product Size (W*D*H)	1741.7mm*103.4mm*1020.2mm
	Package Size (W*D*H)	1880mm*280mm*1160mm(Heavy Carton)
	VESA	4-M8 Screw Hole 600mm*400mm
	Housing Material (Surface Frame /Back Cover)	Aluminum/Sheet Metal
	Housing Color (Surface Frame /Back Cover)	Gray(White)/Black
Accessories	Pen	*2
	Remote Control	*1
	Expansion Screw	*8
	USB disk	*1
	User Manual	*1
	Certificate of quality/Warranty card	*1
	HDMI Cable	*1
	Touch Cable	*1
	Power Cord	*1
	USB Extension Cable	*1

2.2 The Interface Distribution

The right side of the back: Public-USB/Public-USB/HDMI-OUT/SPDIF/Touch-USB/USB2.0 \USB2.0 \DP/HDMI1/HDMI2

The right lower side of the back :LAN1\LAN2\RS232\Audio OUT\ PC-Audio\VGA

三、Touch Frame Specifications

3.1 Product Overview

High precision of infrared touch frame, resolution by interpolation algorithm can be as high as 32768 x32768;

Support Plug and Play;

Support 20 Points Infrared Touch

3.2 Main specification parameters

Touch System	Sensing Type	Infrared Touch Frame
	Surface protection	4mm AG Toughened glass
	Response Time	<10ms
	Touch Accuracy	More than 90% of the touch area of plus or minus 1mm
	Minimum Touch Diameter	≥1.6mm(Single-point); ≥3mm(Multipoint)
	Input Mode	Finger or Pen
	Output Form	HID Standard
	Theory Clicks	Unlimited

3.3 Electrical Specification

Interface Type	USB2.0 at full speed
Working Voltage	DC+5V±5%
Power Consumption	≤2W

3.4 Operating system and software

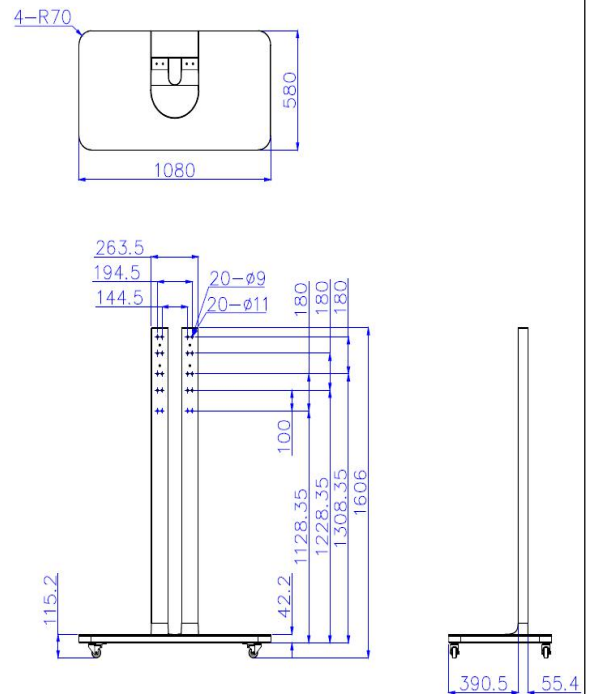
Multi-touch supported operating system	Multi-touch: Windows 7/8/10、Android、Linux Single-touch: Windows XP、Mac OS X、Chrome
--	---

Product Model: Mobile Base for Flat-panel Display HK70



一、Specifications

Hole distance: 194.5×180mm
Size of display/TV to be mounted: 55"-75"
Max. Load bearing: 100KG
Product Size: 1080*1606*580mm
Package Size: 1603*750*160mm
Net Weight: 48Kg±0.5Kg
Gross Weight: 52Kg±0.5Kg
Color: Black & Silver
Material: High quality carbon steel & Tempered glass
The castors are 2" with foot brake



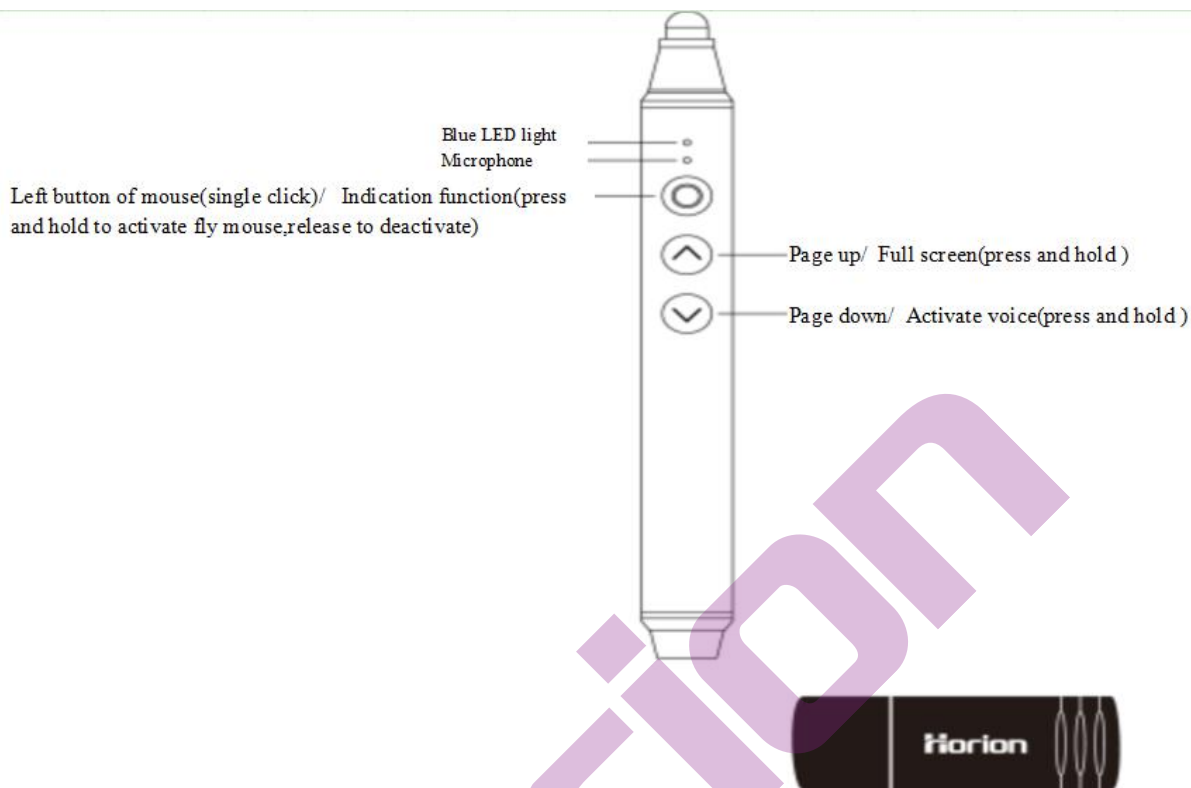
Product Model: Smart Pen HP-2



一、 Hardware specifications

Item	Description
Wireless technology	RF 2.4GHZ, Max.15m in open environment
Mouse	Smart anti-shaking algorithm: Six-axis air mouse
Power	200mAh polymer lithium battery, operating voltage: 3.7-4.2V Power charging interface: Micro USB
Compatible interfaces	USB3.0/2.0/1.1 supported
System requirement	Windows7/8/VISTA/2000/XP, Mac OS 10.0 and updated versions, Android 4.0 and updated versions, fly mouse and page turning functions are supported only in Android/Mac OS/Linux

二、Functions



Function Description
1、LED light: ① For operation status: it comes on when a button is pressed; ② For low voltage status: it flashes quickly in low battery; ③ For charging status: it flashes slowly during charging; ④ For fully charged status: it is solid on when the battery is fully charged;)
2、Left button of the mouse (single click), fly mouse (press and hold to activate fly mouse, release to deactivate fly mouse)
3、Page up (press once to turn one page up) / full screen, exit (press & hold to go to full screen, press & hold again to exit full screen)
4、Page down (press once to turn one page down), voice (press and hold to active voice, release to deactivate voice)
5、Receiver

Product Model: Wireless Mirroring Device HT-2



一、Specifications

1、Basic specifications

Transmission protocols	Customized protocol, AirPlay
Compatibility	Windows7/8/10, Android5.0 and above versions, iOS 9.0 and above versions, Mac OSX10.8 and above versions
Wireless protocol	802.11AC
Drive	Not required
Frequency band	5G (2.4G compatible)
Delay	Average delay 150ms (mouse delay <55ms)
Resolution	1080P max.
FPS	30fps max.
Transmission range	>15m@1080p
Sound	Synchronized A/V
Touch post-back	10-point touch post-back supported
Mouse post-back	Supported
Capacity	8 terminals
Encryption	WPA2 PSK

2、Software specifications

Main function	After pairing, a symbol for screen mirroring is displayed at the top left of the flat-panel display, click it to switch to screen mirroring.
PPT page turning	Gesture operation, built-in icon operation, easy and convenient
Android screen mirroring	Mirror screen of Android cell phone and pad to a large screen
Windows screen mirroring	Mirror Windows PC screen to a large screen
Mac book screen mirroring	Mirror Mac book screen to a large screen
Video pushing	Push videos to a large screen, the volume and progress can be controlled on the original screen)

Music pushing	Push music to a large screen, the volume and progress can be controlled on the original screen
Image pushing	Push images to a large screen, the images can be zoomed in real time on the original screen
Camera	The camera on the phone can be shared in real-time

3、Specifications of mirroring device

Supporting system	Windows7/8/9, Mac OS10
Transmission delay	Average <150ms, generally <120ms
Power consumption	DC 5V/500mA
Frequency band	5GHZ/2.4GHZ
Wireless transmission protocols	802.11a/ac/b/g/n
Connection method	USB2.0/3.0
Mode of operation	One key mirroring

4、Indicator lights

The blue light flashes	When it is inserted into the flat-panel display and is pairing When it is inserted into PC and is connecting to the flat-panel display
The blue light is on in high illuminance	When it is inserted into the flat-panel display and software update on the flat-panel display is finished, and it can be removed from the display When it is inserted into PC and the connection between the PC and flat-panel display has been established and mirroring is available
The blue light is on in low illuminance	When it is mirroring