

SMART OPS PC modules **PCM11 series**

PCM11-i5 (PCM11-1)
 PCM11-i7 vPro™ (PCM11-2)



Overview

SMART Open Pluggable Specification (OPS) PC modules provide a hassle-free Windows® 11 Pro solution based on 11th generation Intel® Core™ processors, and are designed specifically to work with SMART Board® interactive displays. Available in two standard configurations, all OPS PC modules in the PCM11 series are WHQL (Windows Hardware Quality Labs) certified and fully licensed with Windows 11 Pro out of the box. Install the OPS PC module in a SMART Board interactive display's OPS slot to provide a complete 4K UHD Windows 11 solution at your fingertips, without the need for an external device or additional cables.

Install familiar Windows software applications, such as SMART Notebook® collaborative learning software, SMART TeamWorks™ visual collaboration software, and SMART Meeting Pro® software, and access the internet directly through your existing interactive display's network connection. Upgrades and service for the OPS PC module are easy to perform without removing the interactive display from its mounting.

Note

OPS PC modules are available with customizable memory (RAM) and storage (SSD) on extended lead times with minimum order quantity. Please contact your local sales representative for details.

PCM11-i5

Processor (Tiger Lake U)	Intel Core i5 1135G7 / 11300H
Memory	8 GB (2 × 4 GB) DDR4
Storage	256 GB M.2 NVMe SSD
Graphics	Intel Iris® Xe Graphics 80EU
4K UHD video	Yes, Full 4K UHD, 60 Hz
Operating system	Windows 11 Pro full license
LAN	Gigabit Ethernet Intel I219
Wireless	Intel Wireless (2.4 GHz / 5 GHz / BT) IEEE 802.11ax (Wi-Fi 6) Bluetooth® 5.2
TPM	Trusted Platform Module 2.0

PCM11-i7 vPro

Processor (Tiger Lake U)	Intel Core i7 1185G7 vPro
Memory	8 GB (2 × 4 GB) DDR4
Storage	256 GB M.2 NVMe SSD
Graphics	Intel Iris Xe Graphics 96EU
4K UHD video	Yes, Full 4K UHD, 60 Hz
Operating system	Windows 11 Pro full license
LAN	Gigabit Ethernet Intel I219 vPro
Wireless	Intel Wireless vPro (2.4 GHz / 5 GHz / BT) IEEE 802.11ax (Wi-Fi 6) Bluetooth® 5.2
TPM	Trusted Platform Module 2.0

smarttech.com
smarttech.com/contact

© 2021–2024 SMART Technologies ULC. All rights reserved. SMART Board, SMART Notebook, SMART TeamWorks, SMART Meeting Pro, smarttech, the SMART logo and all SMART taglines are trademarks or registered trademarks of SMART Technologies ULC in the U.S. and/or other countries. Windows is either a registered trademark or trademark of Microsoft Corporation in the United States and/or other countries. Intel, Core, vPro, and Iris are trademarks of Intel Corporation in the U.S. and/or other countries. The Bluetooth word mark is owned by the Bluetooth SIG, Inc. and any use of such marks by SMART Technologies ULC is under license. The Adopted Trademarks HDMI, HDMI High-Definition Multimedia Interface, and the HDMI Logo are trademarks or registered trademarks of HDMI Licensing Administrator, Inc. in the United States and other countries. All other third-party product and company names may be trademarks of their respective owners. This product and/or use thereof is covered by one or more of the following U.S. patents: www.smarttech.com/patents. Contents are subject to change without notice. January 9, 2024.

SMART displays and software¹

Supported SMART Board interactive display series	GX MX100 MX (V2 and later) and MX (V2 and later) Pro QX Pro 6000S and 6000S Pro 7000-V2 and 7000-V2 Pro 7000R and 7000R Pro
Installation in displays	Installs in OPS slots of supported SMART Board interactive displays
Available SMART software	SMART Notebook SMART TeamWorks SMART Meeting Pro SMART Remote Management

Storage and operating requirements

Power requirements	12V to 19V DC
Operating temperature	32–104°F (0–40°C)
Storage temperature	-4–140°F (-20–60°C)
Humidity	10–90% relative humidity, non-condensing

Power consumption

Standby	<0.5 W
Maximum	60 W

Certification and compliance²

US / Canada	UL Recognized, FCC, ISED, CONEG Packaging, California Prop 65
EU / EEA / EFTA / UK	CE, UKCA, REACH, RoHS, Battery, Packaging, POP
Australia / New Zealand	RCM Mark
Performance / interoperability certifications	WHQL

Purchasing information

Order number: UGK-PCM11-i5	OPS PC module with Windows 11 Pro, i5 processor
Order number: UGK-PCM11-i7v	OPS PC module with Windows 11 Pro, i7 vPro processor

Warranty

SMART limited equipment warranty Terms and conditions and warranty upgrade options vary by region. Visit smarttech.com/warranty or contact your reseller for information.

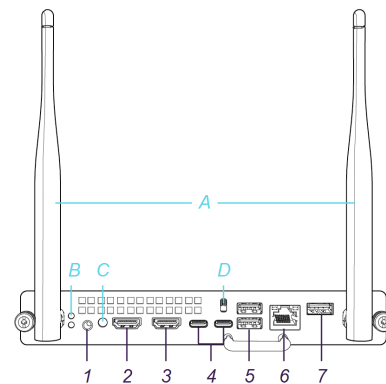
Hardware components	Qty
A. Antennae	2
B. Power and hard drive status lights	2
C. Power button	1
D. Kensington® Security Slot	1

Inputs and outputs

	Qty
1. Stereo 3.5 mm	1
2. HDMI® 1.4 in	1
3. HDMI 2.0 out	1
4. USB Type-C	2
5. USB 3.0 Type-A	2
6. RJ45 (including indicator lights)	1
7. USB 2.0 Type-A	1

Note

Charge a maximum of five devices at a time using USB receptacles.



¹Sold separately

²Product availability may vary by region.

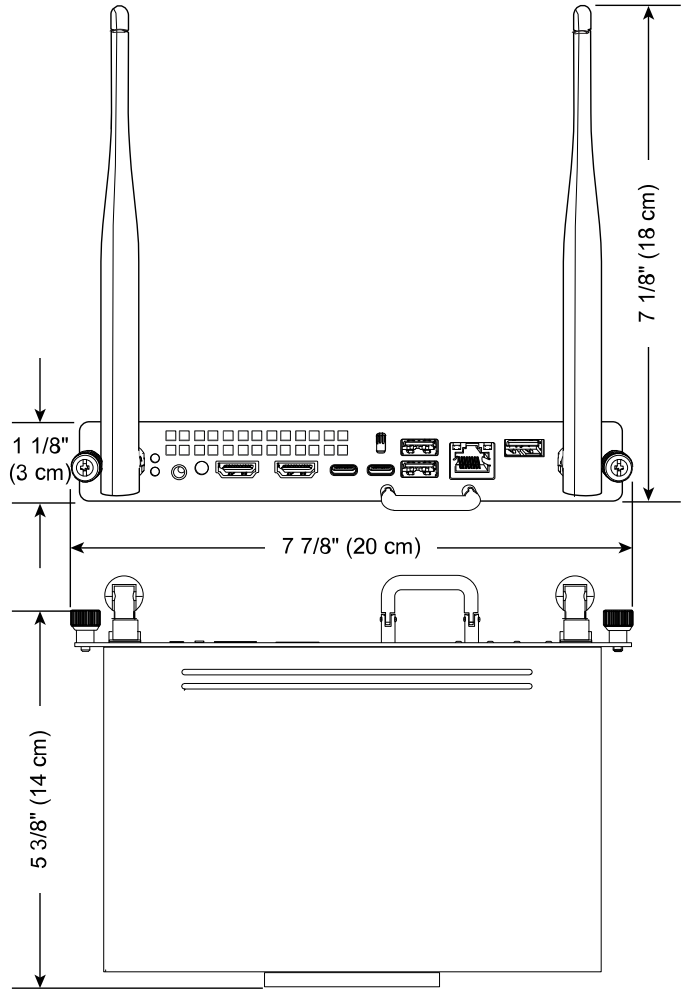
This product has received additional certifications not listed here.

Dimensions and weights

Note

All dimensions and weights $\pm 10\%$.

Dimensions



Weight

2 lb. (910 g)

Shipping dimensions

10 5/8" x 8 5/8" x 2 3/4" (27 cm x 22 cm x 7 cm)